



Product Technical Specification

Code : **05011**

Product: Switch Mode Transformer 280W 92kHz 550uH 58V

Class Code : **1892.0013**

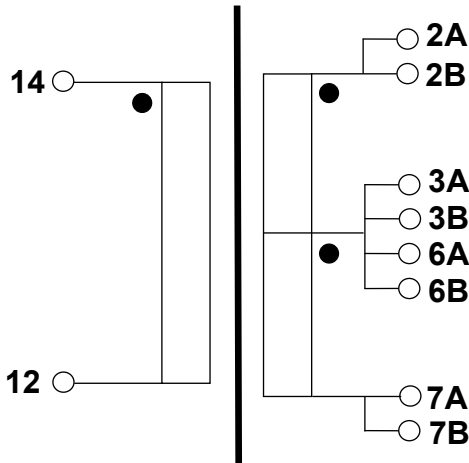
Date : 07.07.2009 Revision: 0

Page 1 of 2

TYPICAL APPLICATION

TRANSFORMER FOR RESONANT CONVERTER IN APPLICATIONS WITH L6599 CONTROLLER. THE LEAKAGE INDUCTANCE TRADE-OFF AND THE SPECIAL COIL FORMER THAT MINIMIZES THE DIMENSIONS, MAKE THE TRANSFORMER SUITABLE FOR APPLICATIONS WITH HIGH PERFORMACES.

SCHEMATIC



TECHNICAL DATA

INDUCTANCE

(MEASURE 1KHZ, TA 20°C)

| | |
|-----------------|--------------|
| PIN 14-12 | 550 uH ± 15% |
| PIN 2A,2B-3A,3B | 52 uH ± 15% |
| PIN 6A,6B-7A,7B | 52 uH ± 15% |

RESISTANCE

(MEASURE D.C, TA 20°C)

| | |
|-----------------|-----------|
| PIN 14-12 | 60 mΩ MAX |
| PIN 2A,2B-3A,3B | 10 mΩ MAX |
| PIN 6A,6B-7A,7B | 10 mΩ MAX |

TRANSFORMER RATIO

(MEASURE 10KHZ, 10-12 IN CC, TA 20°C)

| | |
|-------------------------|-----------|
| PIN 14-12 ↔ 2A,2B-3A,3B | 3.33 ± 5% |
| PIN 14-12 ↔ 6A,6B-7A,7B | 3.33 ± 5% |

LEAKAGE INDUCTANCE

(MEASURE 14-12 AND 2-3-6-7 A AND B IN S.C, F 10KHZ, TA 20°C)

LEAKAGE INDUCTANCE

(MEASURE 14-12 AND 2-3-6-7 A AND B IN S.C, F 100KHZ, TA 20°C)

OPERATING FREQUENCY

(TA 20°C) 68÷110 KHZ NOM

RESONANCE FREQUENCY

(TA 20°C) 92 KHZ NOM

OPERATING TEMPERATURE RANGE

(P_{MAX} 290W) -10°C÷+45°C

PRIMARY TO SECONDARY INSULATION

(F 50HZ,DURATION TEST 2", TA 20°C) 4K V

MAXIMUM DIMENSIONS

55x57mm H41mm

WEIGHT

160 g CIRCA

PIN DESCRIPTION

| PIN(*) | FUNCTION | PIN(*) | FUNCTION |
|--------|------------------|-------------------|----------------------|
| 1A-1B | NOT CONNECTED | 9 | NOT CONNECTED |
| 2A-2B | SECONDARY D1 | 10 | |
| 3A-3B | GROUND SECONDARY | 11 | |
| 4A-4B | NOT CONNECTED | 12 | PRIMARY CR 56nF |
| 5A-5B | | 58V 5A 290WMAX | 13 |
| 6A-6B | GROUND SECONDARY | 14 | PRIMARY DRAIN SOURCE |
| 7A-7B | SECONDARY D2 | 15 | NOT CONNECTED |
| 8A-8B | NOT CONNECTED | | |

(*)PIN WITH THE SAME SUBSCRIPT MUST BE CONNECTED TOGETHER ON PCB





Product Technical Specification

Code : **05011**

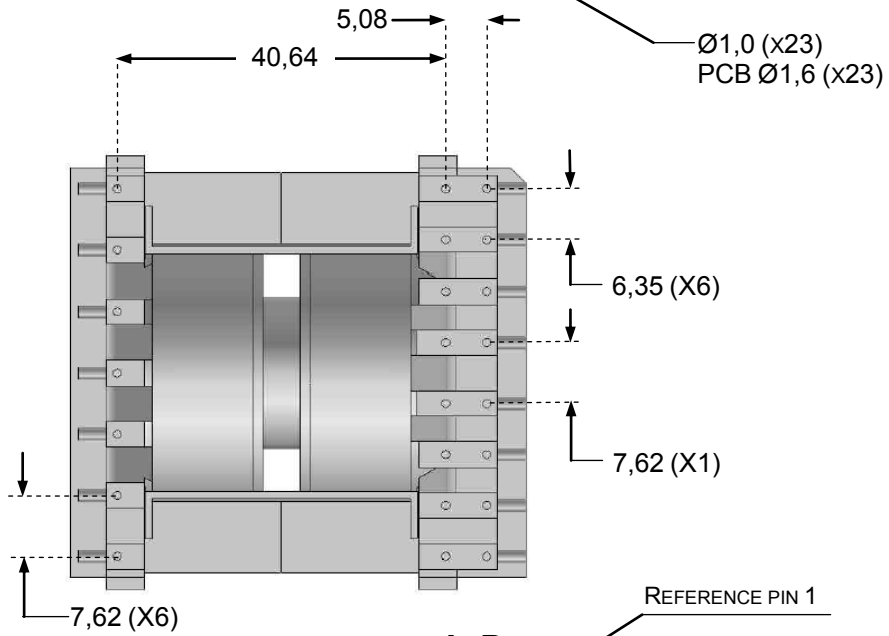
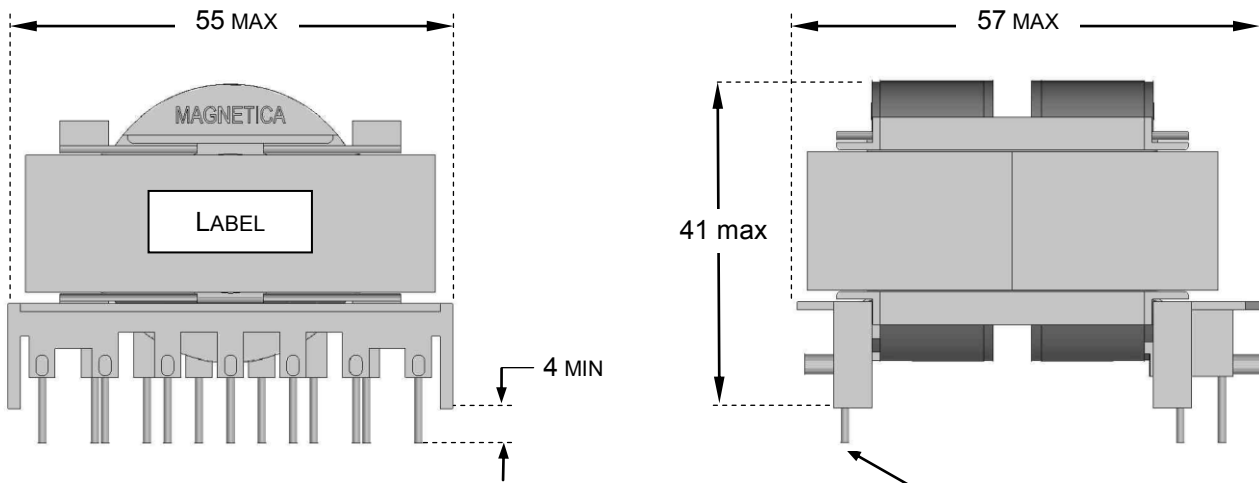
Product: Switch Mode Transformer 280W 92kHz 550uH 58V

Class Code : **1892.0013**

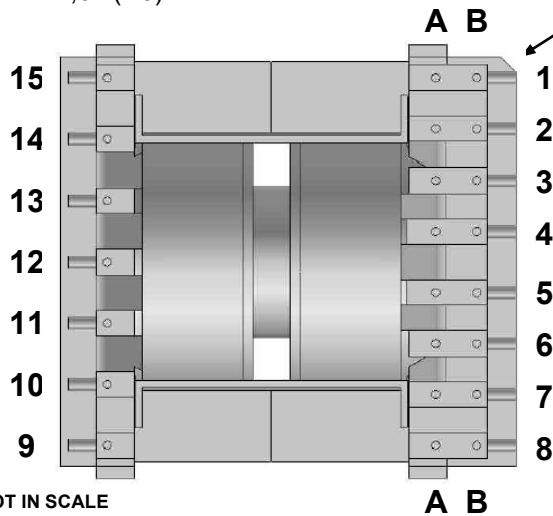
Date : 07.07.2009 | Revision: 0

Page 2 of 2

DIMENSIONAL DRAWING



BOTTOM VIEW (PIN SIDE)



DIMENSIONS IN MILLIMETERS, DRAWING NOT IN SCALE



Magnetica

Electromagnetic components
Switch mode power supply

Via Marcora, 20 60022 Castelfidardo (AN)
Tel +39 071 7823855 www.magnetica.eu

STP20 MOR&D0014 REV01 10/01/12

Copyright Magnetica, cannot be reproduced even partially without written authorization