



Product Technical Specification

Code : **05747**

Product: Switch Mode Transformer 300W 75kHz 400uH 12V

Class Code : **1892.0024**

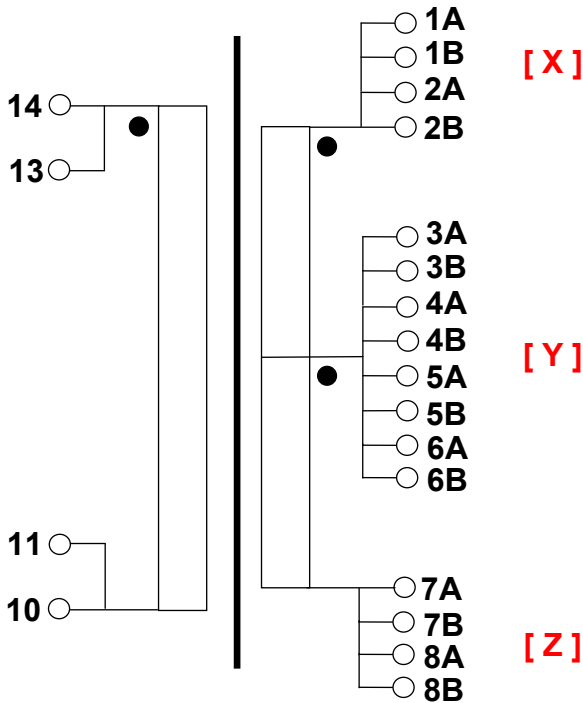
Date : 26.05.2010 Revision: 0

Page 1 of 2

TYPICAL APPLICATION

TRANSFORMER FOR RESONANT CONVERTER IN APPLICATIONS WITH L6599 CONTROLLER. THE LEAKAGE INDUCTANCE TRADE-OFF AND THE SPECIAL COIL FORMER THAT MINIMIZES THE DIMENSIONS, MAKE THE TRANSFORMER SUITABLE FOR APPLICATIONS WITH HIGH PERFORMACES.

SCHEMATIC



TECHNICAL DATA

INDUCTANCE

(MEASURE 1KHZ, TA 20°C)

PIN 13,14-10-11	400 uH ± 15%
PIN X-Y	1.2 uH ± 15%
PIN Y-Z	1.2 uH ± 15%

RESISTANCE

(MEASURE D.C, TA 20°C)

PIN 13,14-10,11	15 mΩ MAX
PIN X-Y	1 mΩ MAX
PIN Y-Z	1 mΩ MAX

TRANSFORMER RATIO

(MEASURE 10KHZ, 10-12 IN CC, TA 20°C)

PIN 13,14-10-11 ⇔ X-Y	18 ± 5%
PIN 13,14-10-11 ⇔ Y-Z	18 ± 5%

LEAKAGE INDUCTANCE

(MEASURE 13-11 AND X-Y IN S.C, F 100KHZ, TA 20°C)

42 uH NOM

LEAKAGE INDUCTANCE

(MEASURE 13-11 AND Y-Z IN S.C, F 100KHZ, TA 20°C)

40 uH NOM

OPERATING FREQUENCY

(P_{MAX} 300W, TA 20°C)

75 KHZ NOM

OPERATING TEMPERATURE RANGE

(P_{MAX} 300W, F 75KHZ)

-10°C ÷ +45°C

PRIMARY TO SECONDARY INSULATION

(F 50HZ, DURATION TEST 2", TA 20°C)

4k V

MAXIMUM DIMENSIONS

55x57mm H41mm

WEIGHT

194 g CIRCA

PIN DESCRIPTION

PIN(*)	FUNCTION	PIN(*)	FUNCTION
1A-1B _X	SECONDARY D1	9	NOT CONNECTED
2A-2B _X	SECONDARY D1	10	PRIMARY CR
3A-3B _Y	GROUND SECONDARY	11	PRIMARY CR
4A-4B _Y	GROUND SECONDARY	12	NOT CONNECTED
5A-5B _Y	GROUND SECONDARY	13	PRIMARY DRAIN SOURCE
6A-6B _Y	GROUND SECONDARY	14	PRIMARY DRAIN SOURCE
7A-7B _Z	SECONDARY D2	15	NOT CONNECTED
8A-8B _Z	SECONDARY D2		

(*)PIN WITH THE SAME SUBSCRIPT MUST BE CONNECTED TOGETHER ON PCB





Product Technical Specification

Code : **05747**

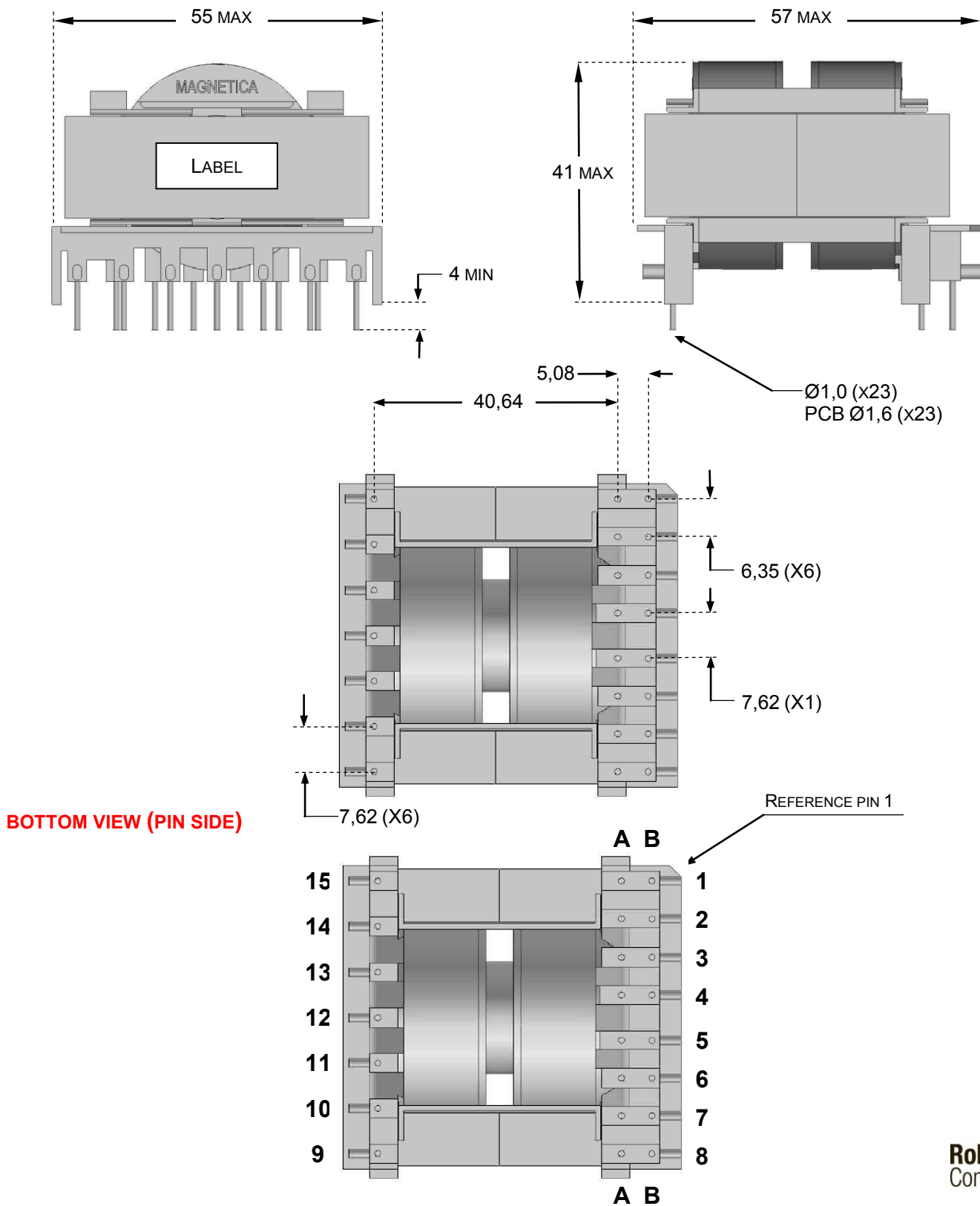
Product: Switch Mode Transformer 300W 75kHz 400uH 12V

Class Code : **1892.0024**

Date : 26.05.2010 | Revision: 0

Page 2 of 2

DIMENSIONAL DRAWING



BOTTOM VIEW (PIN SIDE)

DIMENSIONS IN MILLIMETERS, DRAWING NOT IN SCALE



Magnetica

Electromagnetic components
Switch mode power supply

Via Marcora, 20 60022 Castelfidardo (AN)
Tel +39 071 7823855 www.magnetica.eu

STP20 MOR&D0014 REV01 10/01/12

Copyright Magnetica, cannot be reproduced even partially without written authorization