



Product Technical Specification

Code : **07311**

Product: Switch Mode Transformer 280W 90kHz 710uH 24V

Class Code : **1892.0038**

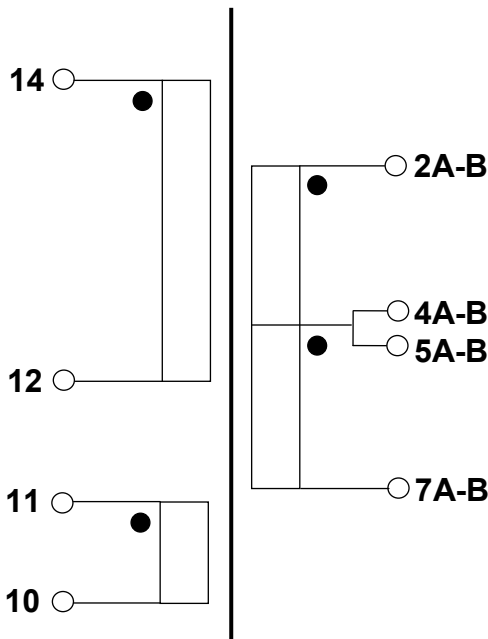
Date : 26.06.2013 Revision: 0

Page 1 of 2

TYPICAL APPLICATION

TRANSFORMER FOR RESONANT CONVERTER IN APPLICATIONS WITH L6599 CONTROLLER. THE LEAKAGE INDUCTANCE TRADE-OFF AND THE SPECIAL COIL FORMER THAT MINIMIZES THE DIMENSIONS, MAKE THE TRANSFORMER SUITABLE FOR APPLICATIONS WITH HIGH PERFORMACES.

SCHEMATIC



TECHNICAL DATA

INDUCTANCE

(MEASURE 1KHZ, TA 20°C)

PIN 14-12	710 uH ± 15%
PIN 11-10	4.5 uH ± 15%
PIN 2A,2B-5A,5B	9.5 uH ± 15%
PIN 4A,4B-7A,7B	9.5 uH ± 15%

RESISTANCE

(MEASURE D.C, TA 20°C)

PIN 14-12	80 mΩ MAX
PIN 11-10	47 mΩ MAX
PIN 2A,2B-5A,5B	5.0 mΩ MAX
PIN 4A,4B-7A,7B	5.0 mΩ MAX

TRANSFORMER RATIO

(MEASURE 10KHZ, WITH TOLERANCE ±0.5, TA 20°C)

PIN 14-12 ↔ 11-10	13 NOM
PIN 14-12 ↔ 4A,4B-7A,7B	8 NOM
PIN 14-12 ↔ 2A,2B-5A,5B	8 NOM

LEAKAGE INDUCTANCE

(MEASURE 14-12 AND 2-4-5-7 A AND B IN S.C, F 10KHZ, TA 20°C)

85 uH NOM

LEAKAGE INDUCTANCE

(MEASURE 14-12 AND 2-4-5-7 A AND B IN S.C, F 100KHZ, TA 20°C)

82 uH NOM

RESONANCE FREQUENCY

(TA 20°C)

90 KHZ NOM

AMBIENT TEMPERATURE RANGE

(P_{MAX} 280W , WITH SELF TRISE 45°C)

-20°C ÷ +85°C

THERMAL CLASS

B

STORAGE TEMPERATURE RANGE

-20°C ÷ +85°C

PRIMARY TO SECONDARY INSULATION

(F 50HZ, DURATION TEST 2", TA 20°C)

4kV

MAXIMUM DIMENSIONS

55x57mm H41mm

WEIGHT

170 g APPROX

PIN DESCRIPTION

PIN(*)	FUNCTION	PIN(*)	FUNCTION
1A-1B _X	SECONDARY D1	9	NOT CONNECTED
2A-2B _X		10	AUXILIARY GROUND
3A-3B _Y		11	AUXILIARY
4A-4B _Y	GROUND SECONDARY	12 _C	PRIMARY CR 36nF
5A-5B _Y		13 _C	
6A-6B _Y		14 _D	
7A-7B _Z	SECONDARY D2	15 _D	PRIMARY DRAIN SOURCE
8A-8B _Z			

(*)PIN WITH THE SAME SUBSCRIPT MUST BE CONNECTED TOGETHER ON PCB



Electromagnetic components
Switch mode power supply

Via Marcora, 20 60022 Castelfidardo (AN)
Tel +39 071 7823855 www.magnetica.eu

Copyright Magnetica, cannot be reproduced even
partially without written authorization

STP20 MOR&D0014 REV01 10/01/12



Product Technical Specification

Code : **07311**

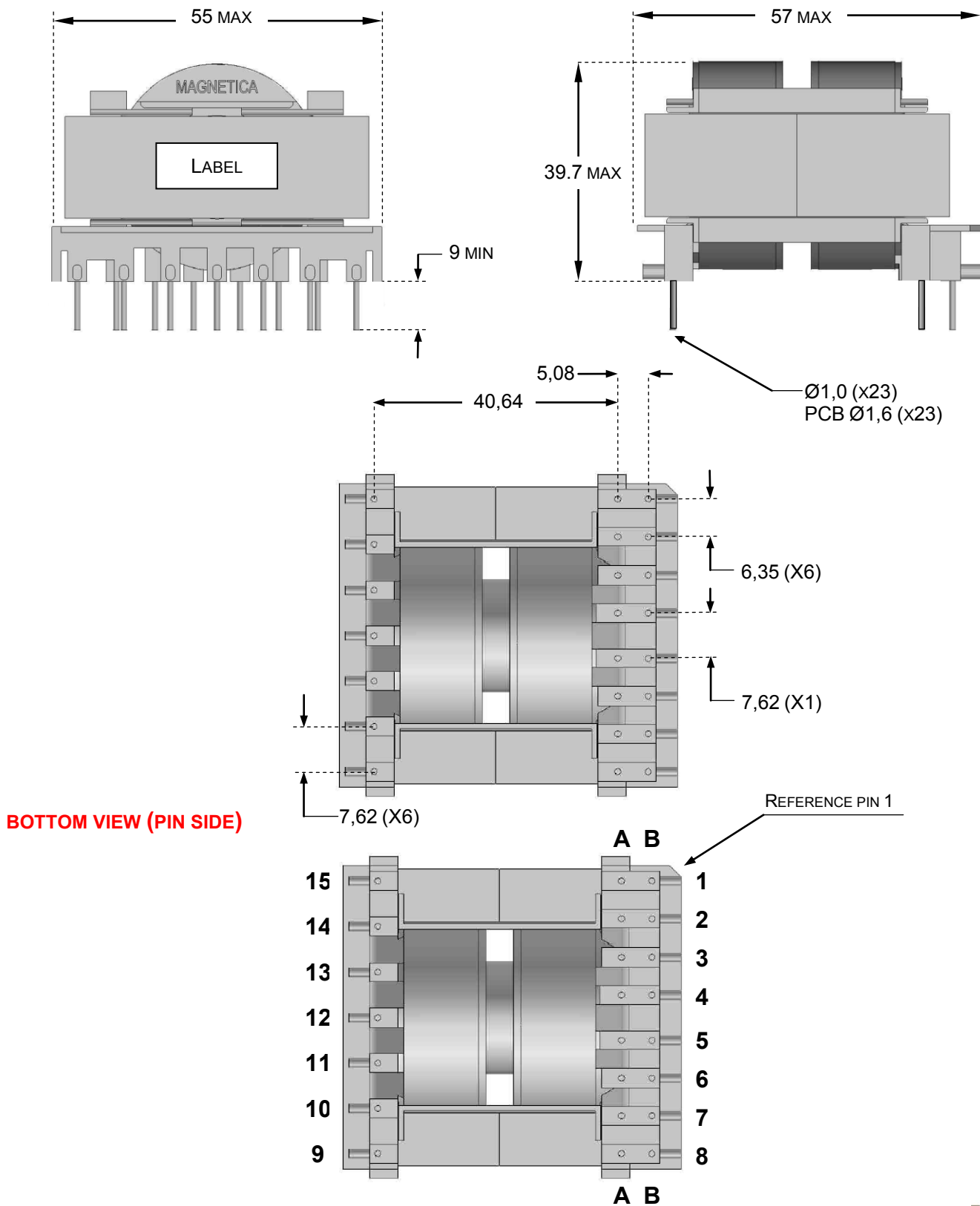
Product: Switch Mode Transformer 280W 90kHz 710uH 24V

Class Code : **1892.0038**

Date : 26.06.2013 | Revision: 0

Page 2 of 2

DIMENSIONAL DRAWING



BOTTOM VIEW (PIN SIDE)

DIMENSIONS IN MILLIMETERS, DRAWING NOT IN SCALE



Magnetica

Electromagnetic components
Switch mode power supply

Via Marcora, 20 60022 Castelfidardo (AN)
Tel +39 071 7823855 www.magnetica.eu

Copyright Magnetica, cannot be reproduced even partially without written authorization

STP20 MOR&D0014 REV01 10/01/12