



Product Technical Specification

Code : **04658**

Product: PFC Inductor 520uH/1.8A

Class Code : **1975.0001**

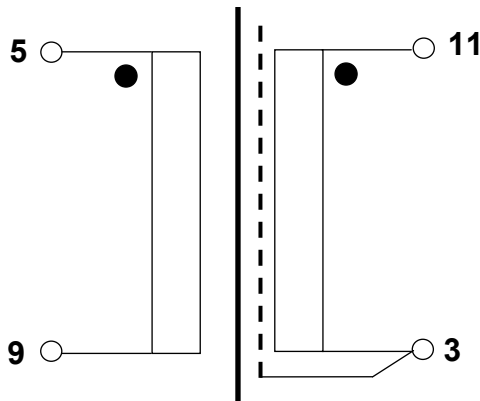
Date : 31.01.2011 | Revision: 03

Page 1 of 2

TYPICAL APPLICATION

INDUCTOR FOR BUCK, BOOST AND BUCK-BOOST DC/DC CONVERTER, AVAILABLE ALSO IN HALF-BRIDGE, PUSH-PULL AND FULL-BRIDGE APPLICATIONS

SCHEMATIC



CONSTRUCTIVELY MADE ACCORDING TO THE EN61347-2-13 TO BE MOUNTED WITH RIGHT INSULATION BETWEEN PCB WIRINGS AND FERRITE CORE

TECHNICAL DATA

INDUCTANCE

(MEASURE 1KHZ, TA 20°C)

PIN 5-9

520 uH ±15%

PIN 11-3

8.2 uH ±15%

RESISTANCE

(MEASURE D.C, TA 20°C)

PIN 5-9

210 mΩ MAX

PIN 11-3

280 mΩ MAX

TRANSFORMER RATIO

(MEASURE 10KHZ, TA 20°C)

PIN 5-9 ↔ 11-3

9.61 ± 1.3%

OPERATING CURRENT

(MEASURE DC, TA 20°C)

1.8A MAX

SATURATION CURRENT

(MEASURE DC, L ≥ 50%NOM, TA 20°C)

7.2A MAX

RESONANCE FREQUENCY

(TA 20°C)

900KHZ NOM

AMBIENT TEMPERATURE RANGE

(IR 1.8A MAX, WITH SELF TRISE 50°C)

-20°C ÷ +80°C

THERMAL CLASS

B

STORAGE TEMPERATURE RANGE

-20°C ÷ +85°C

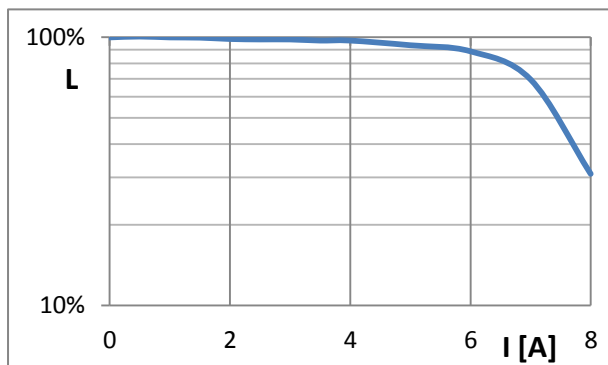
MAXIMUM DIMENSIONS

28x30 H29 mm

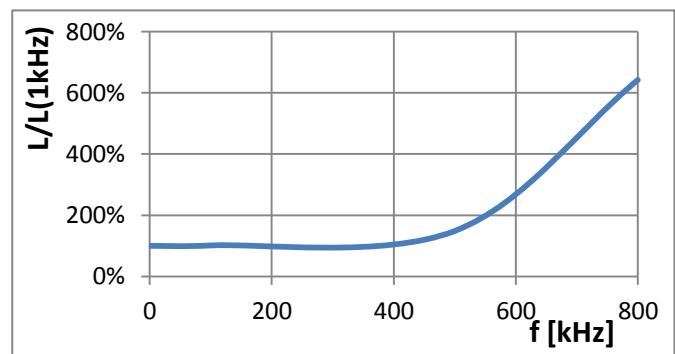
WEIGHT

46g APPROX

INDUCTANCE VS CURRENT



INDUCTANCE VS FREQUENCY



PIN DESCRIPTION

PIN(*)	FUNCTION	PIN(*)	FUNCTION
1	NOT PRESENT	7	NOT PRESENT
2		8	NOT CONNECTED
3	AUXILIARY GROUND	9	PRIMARY +VB (120-450VDCMAX)
4	NOT PRESENT	10	NOT PRESENT
5	PRIMARY DRAIN	11	AUXILIARY +12V 50mA
6	NOT PRESENT	12	NOT PRESENT

(*)PIN WITH THE SAME SUBSCRIPT MUST BE CONNECTED TOGETHER ON PCB



Product Technical Specification

Code : **04658**

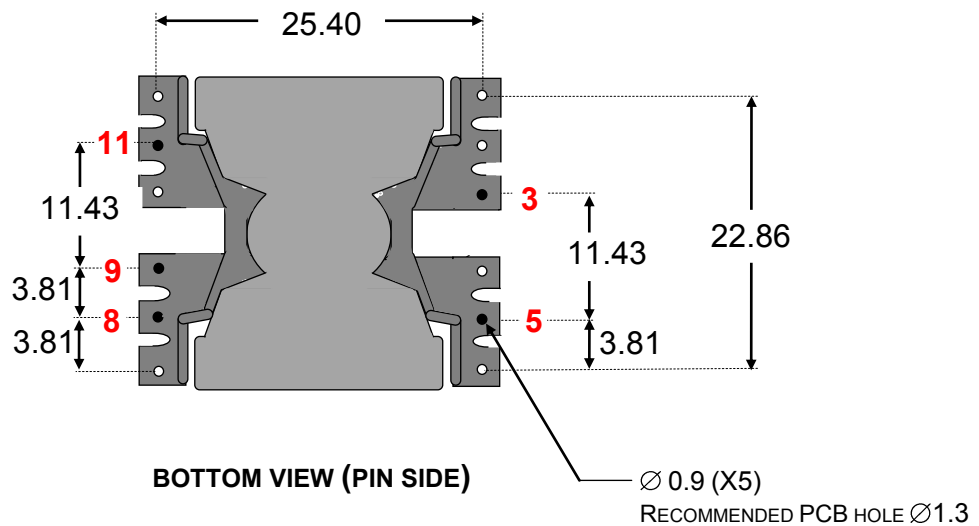
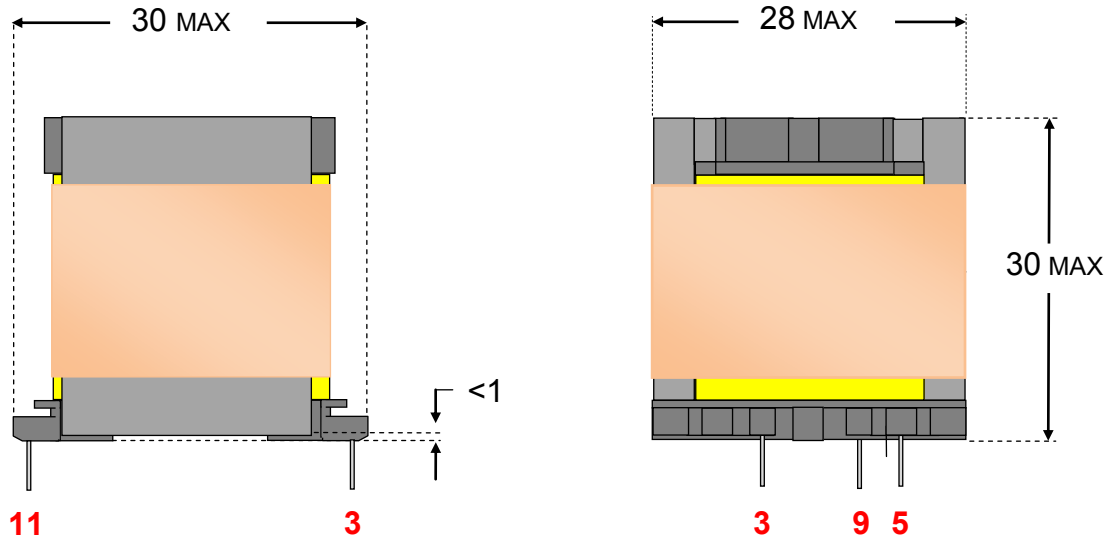
Product: PFC Inductor 520uH/1.8A

Class Code : **1975.0001**

Date : 31.01.2011 | Revision: 03

Page 2 of 2

DIMENSIONAL DRAWING



DIMENSIONS IN MILLIMETERS, DRAWING NOT IN SCALE