



Product Technical Specification

Code : **07517**

Product: PFC Inductor 650uH 1.6A

Class Code : **1975.0008**

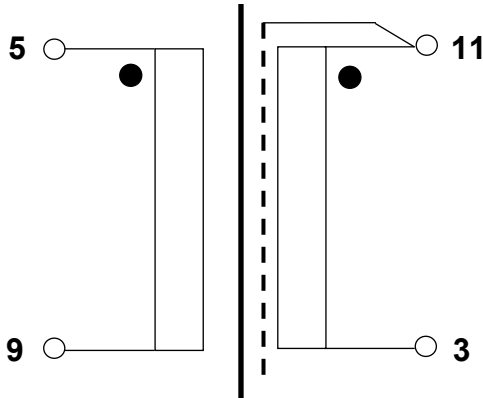
Date : 18.12.2013 | Revision: 0

Page 1 of 2

TYPICAL APPLICATION

INDUCTOR FOR BUCK, BOOST AND BUCK-BOOST DC/DC CONVERTER, AVAILABLE ALSO IN HALF-BRIDGE, PUSH-PULL AND FULL-BRIDGE APPLICATIONS

SCHEMATIC



CONSTRUCTIVELY MADE ACCORDING TO THE EN61347-2-13 TO BE MOUNTED WITH RIGHT INSULATION BETWEEN PCB WIRINGS AND FERRITE CORE

TECHNICAL DATA

INDUCTANCE

(MEASURE 1KHZ, TA 20°C)

PIN 5-9

650 uH ±15%

PIN 11-3

7.15 uH ±15%

RESISTANCE

(MEASURE D.C, TA 20°C)

PIN 5-9

296 MΩ MAX

PIN 11-3

224 MΩ MAX

TRANSFORMER RATIO

(MEASURE 10KHZ, TA 20°C)

PIN 5-9 ↔ 11-3

12.09 NOM

OPERATING CURRENT

(MEASURE DC, TA 20°C)

1.6 A MAX

SATURATION CURRENT

(MEASURE DC, L ≥ 50%NOM, TA 20°C)

5.2 A MAX

RESONANCE FREQUENCY

(TA 20°C)

710 KHZ NOM

AMBIENT TEMPERATURE RANGE

(IR 1.6A MAX, WITH SELF TRISE 50°C)

-20°C÷+80°C

THERMAL CLASS

B

STORAGE TEMPERATURE RANGE

-20°C÷+85°C

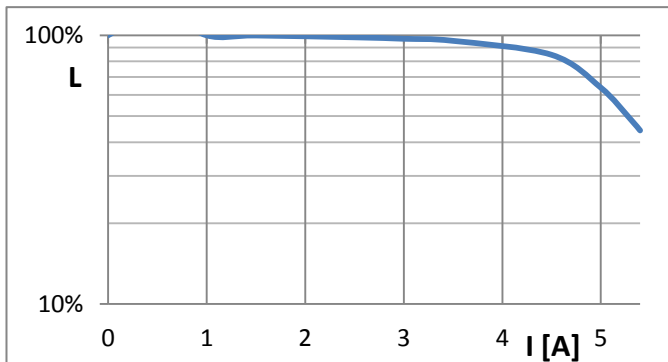
MAXIMUM DIMENSIONS

28x30 H29 mm

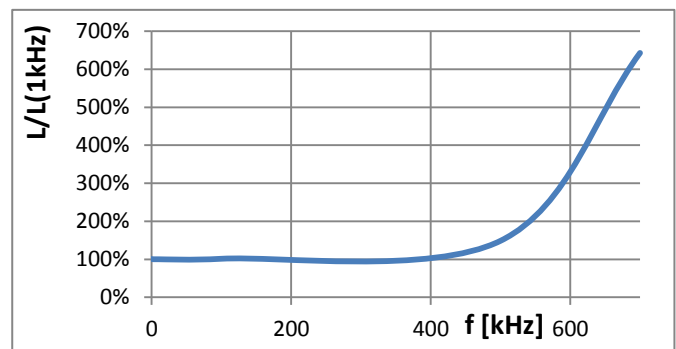
WEIGHT

46g APPROX

INDUCTANCE VS CURRENT



INDUCTANCE VS FREQUENCY



PIN DESCRIPTION

PIN(*)	FUNCTION	PIN(*)	FUNCTION
1	NOT CONNECTED	7	NOT PRESENT
2	NOT PRESENT	8	NOT PRESENT
3	AUXILIARY +12V 50mA	9	PRIMARY +VB (120-450VDC – WIDE RANGE)
4	NOT CONNECTED	10	NOT CONNECTED
5	PRIMARY DRAIN	11	AUXILIARY GROUND / SHIELD FOIL
6	NOT CONNECTED	12	NOT CONNECTED

(*)PIN WITH THE SAME SUBSCRIPT MUST BE CONNECTED TOGETHER ON PCB



Magnetica

Electromagnetic components
Switch mode power supply

Via Marcora, 20 60022 Castelfidardo (AN)
Tel +39 071 7823855 www.magnetica.eu

STP04 MOR&D0014 REV01 10/01/12

Copyright Magnetica, cannot be reproduced even partially without written authorization



Product Technical Specification

Code : **07517**

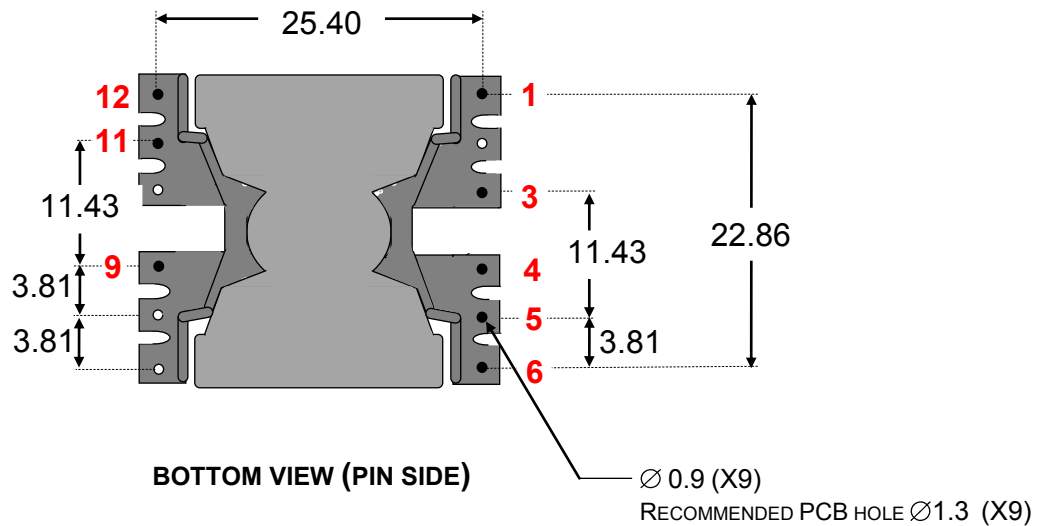
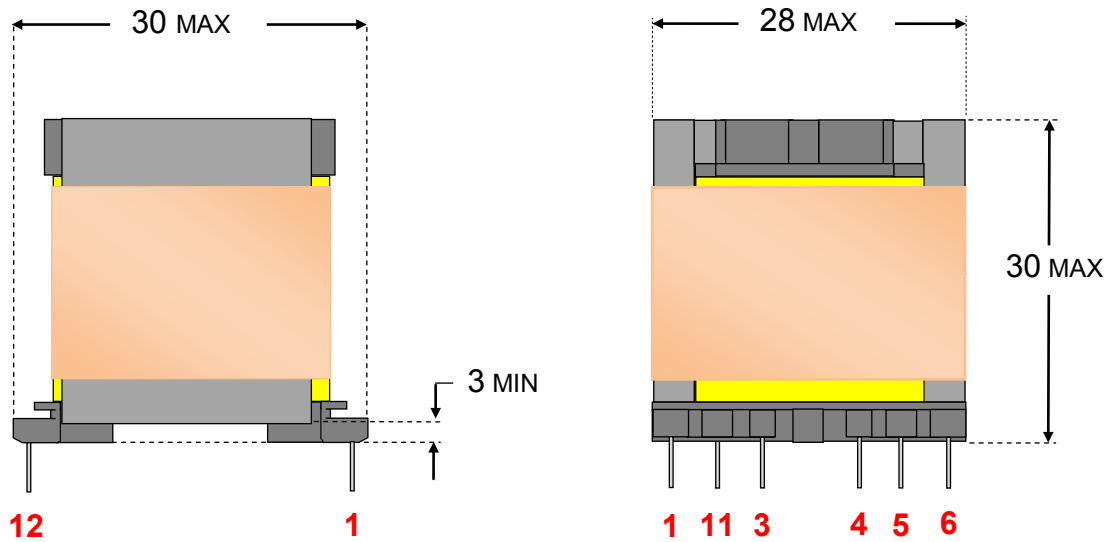
Product: PFC Inductor 650uH 1.6A

Class Code : **1975.0008**

Date : 18.12.2013 | Revision: 0

Page 2 of 2

DIMENSIONAL DRAWING



DIMENSIONS IN MILLIMETERS, DRAWING NOT IN SCALE



Magnetica

Electromagnetic components
Switch mode power supply

Via Marcora, 20 60022 Castelfidardo (AN)
Tel +39 071 7823855 www.magnetica.eu

STP04 MOR&D0014 REV01 10/01/12

Copyright Magnetica, cannot be reproduced even partially without written authorization