

## SERIES

CORE SIZE DR 8X10 - 10X12 - 10X16 - 18X18

## DRUM CORE INDUCTOR

### MAIN FEATURES

- ✓ CLASS "F" INSULATION SYSTEM RECOGNIZED
- ✓ ACCORDING TO UL94-V0 LISTED MATERIALS
- ✓ ACCORDING TO EN55022/EN55015 STANDARDS
- ✓ COMPACT SWITCH-MODE POWER APPLICATIONS
- ✓ APPLICATIONS:
  - MAIN FILTERS
  - POWER AMPLIFIER
  - SCR AND TRIAC CONTROLS
  - RFI SUPPRESSION
  - SPEAKER CROSSOVER NETWORKS

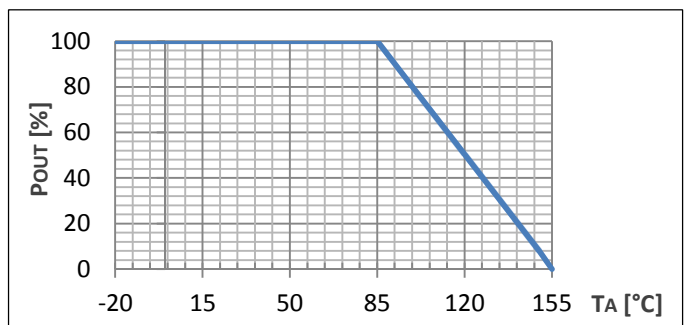
### DISTINGUISHING FEATURES

- ✓ HIGH SUPPRESSION OF DIFFERENTIAL MODE NOISE REDUCE THE NUMBER OF COMPONENTS
- ✓ COMPACT SWITCH MODE POWER SUPPLY
- ✓ FULLY CUSTOMIZABLE
- ✓ 3D STEP FILE AVAILABLE

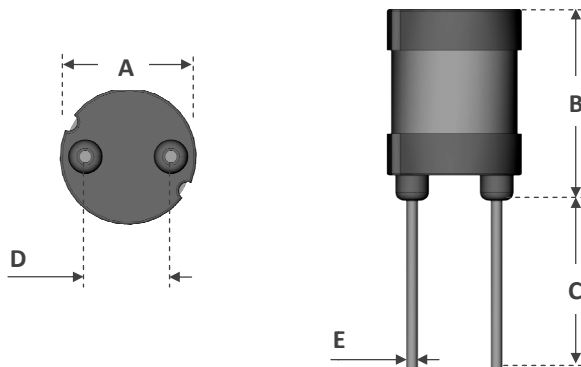
### ELECTRICAL CHARACTERISTICS

RATED VOLTAGE	400	VAC
RATED CURRENT	UP TO 16	A
INDUCTANCE	UP TO 10	mH
WEIGHT	UP TO 30	g
STORAGE CONDITIONS (RH ≤ 75%)	-20 ÷ +85	°C

### DE-RATING POWER vs T<sub>A</sub>



### PHYSICAL PARAMETERS



DIMENSIONS	1071	1041	1061	1042
A	9	10	10	18
B	11.5	13.5	17.5	20
C	>9	>9	>9	>9
D	5	5	6	12.5
E	0.7 (x2)	0.8 (x2)	0.8 (x2)	1 (x2)
PCB HOLE	1.1 (X2)	1.2 (X2)	1.2 (X2)	1.4 (X2)