

2263 SERIES

CORE SIZE PQ20/20 - UP TO 180W

PFC INDUCTOR

MAIN FEATURES

- ✓ HIGHEST POWER/VOLUME RATIO
- ✓ CLASS "B" INSULATION SYSTEM RECOGNIZED
- ✓ ACCORDING TO UL94-V0 LISTED MATERIALS
- ✓ ACCORDING TO EN 61558-2-16
- ✓ COMPATIBLE WITH:

STM: L6561, L6562, L6563, L6564

FAIRCHILD: FAN6982, FAN6961, FAN7930

TEXAS: UCC28810, UCC28811

INFINEON: ICE2PCSXX

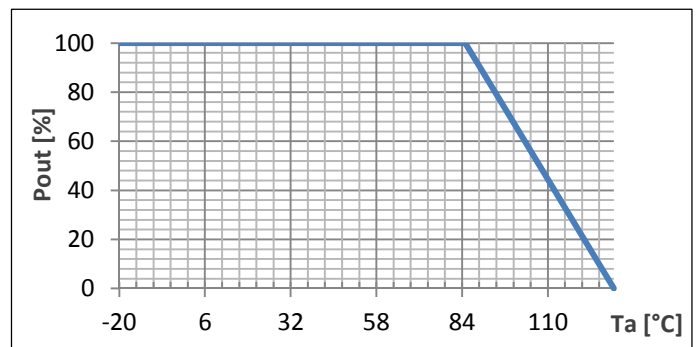
DISTINGUISHING FEATURES

- ✓ AVAILABLE WITH LOW PARASITIC CAPACITANCE
- ✓ AVAILABLE WITH AUXILIARY WINDING FOR THE SUPPLY VOLTAGE
- ✓ AVAILABLE IN "F" CLASS INSULATION SYSTEM RECOGNIZED
- ✓ AVAILABLE WITH EXTERNAL SHIELD FOR THE EMI REQUIREMENTS
- ✓ FULLY CUSTOMIZABLE
- ✓ 3D STEP FILE AVAILABLE

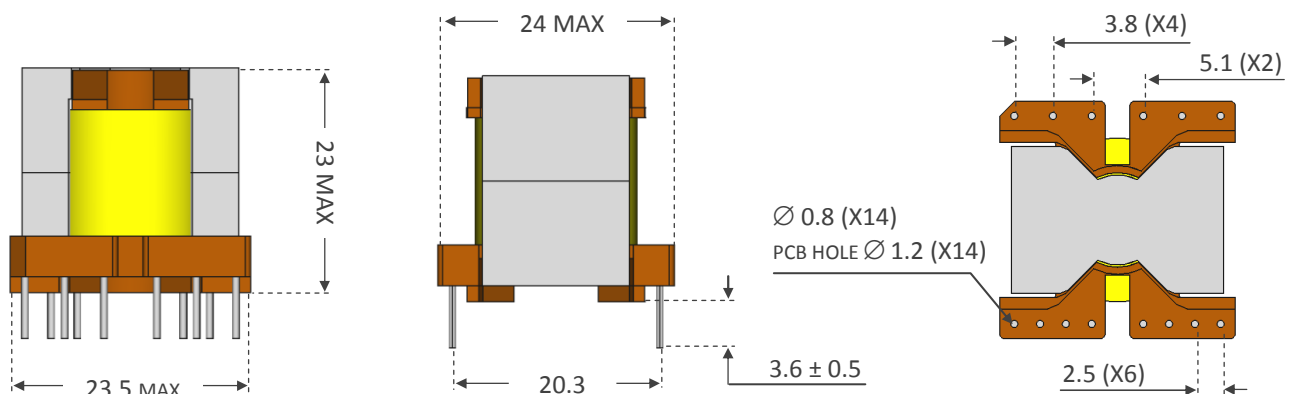
ELECTRICAL CHARACTERISTICS

VOLTAGE INPUT	85-305	VAC
VOLTAGE OUTPUT	UP TO 500	VDC
WORKING FREQUENCY	50-200	KHZ
MAX OUTPUT POWER (EU RANGE)	180	W
MAX OUTPUT POWER (WIDE RANGE)	140	W
EFFICIENCY	≥ 95	%
WEIGHT	25	g
STORAGE CONDITIONS (RH ≤ 75%)	-20 ÷ +85	°C

DE-RATING POWER vs T_A



PHYSICAL PARAMETERS



AQ Magnetica - Tel +39 071 7823855 - www.magnetica.eu - roberto.volpini@aqq.se

All specifications are subject to change without notice. Please check our website for latest information.

Copyright Magnetica, cannot be reproduced even partially without written authorization