



# Product Technical Specification

Code : **04128**

Product: Common Mode Inductor 2x30mH 0.2A

Class Code : **1770.0004**

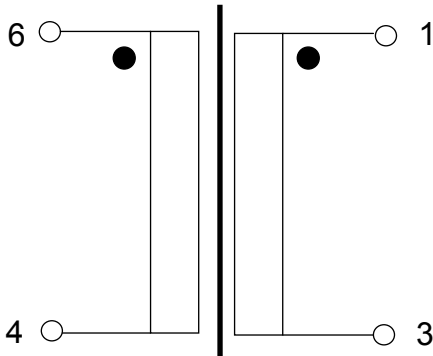
Date : 10.10.2011 Revision: 03

Page 1 of 2

### TYPICAL APPLICATION

DISTURB SUPPRESSION ON AC/DC POWER LINE OF 400V MAX.

### SCHEMATIC



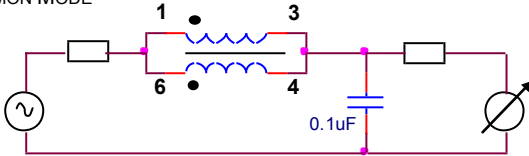
### TECHNICAL DATA

<b>INDUCTANCE (1-3=6-4)</b> <i>(MEASURE 1KHZ, TA 20°C)</i>	21mH min
<b>RESISTANCE (1-3=6-4)</b> <i>(MEASURE D.C, TA 20°C)</i>	7.5Ω max
<b>LEAKAGE INDUCTANCE</b> <i>(MEASURE 1-3 AND 6-4 IN S.C, F 10KHZ, TA 20°C)</i>	2.5% NOM
<b>OPERATING VOLTAGE</b> <i>(F 50-60HZ, IR 0.2A MAX, TA 20°C)</i>	400VAC MAX
<b>OPERATING CURRENT</b> <i>(MEASURE 1-3 E 6-4, TA 20°C)</i>	0.2A MAX
<b>OPERATING FREQUENCY</b> <i>(CURRENT 0.2A MAX, TA 20°C)</i>	50 – 60HZ
<b>INSULATION (1-3 ↔ 6-4)</b> <i>(F 50HZ, DURATION TEST 2", TA 20°C)</i>	1500V MAX
<b>AMBIENT TEMPERATURE RANGE</b> <i>(IR 0.2A MAX, WITH SELF TRISE 45°C)</i>	-20°C÷+85°C
<b>MAXIMUM DIMENSIONS</b>	13.5x13.5 H12MM
<b>WEIGHT</b>	6g CIRCA

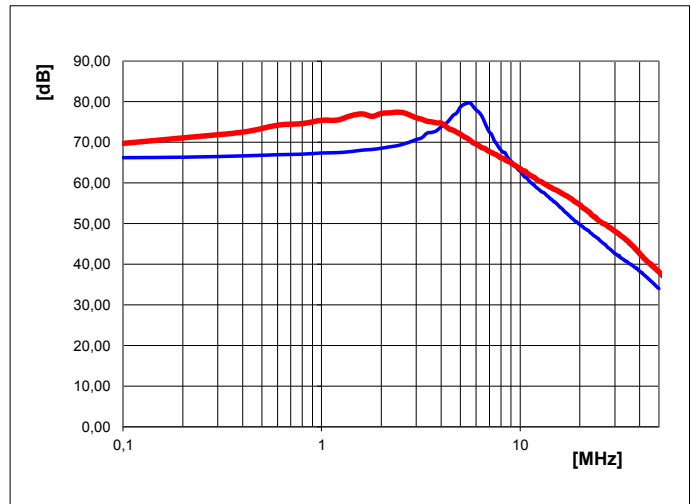
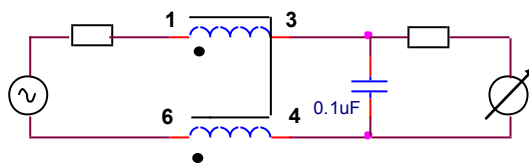
### SETUP OF MEASURE

ATTENUATION — COMMON MODE — DIFFERENTIAL MODE

#### COMMON MODE



#### DIFFERENTIAL MODE



# Magnetica

Electromagnetic components  
Switch mode power supply

Via Marcora, 20 60022 Castelfidardo (AN)  
Tel +39 071 7823855 www.magnetica.eu

Copyright Magnetica, cannot be reproduced even partially without written authorization

STP03 MOR&D0014 REV01 10/01/12



**Product Technical Specification**

Code : **04128**

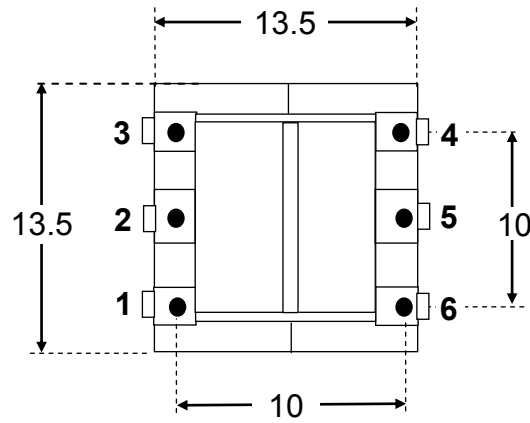
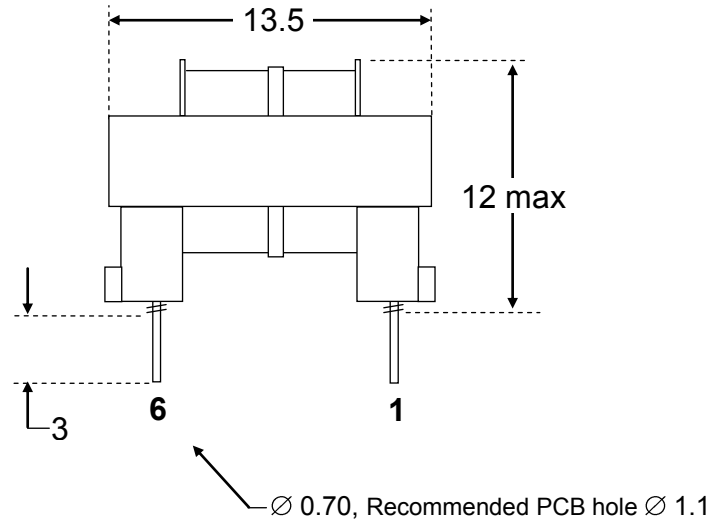
Product: Common Mode Inductor 2x30mH 0.2A

Class Code : **1770.0004**

Date : 10.10.2011 | Revision: 03

Page 2 of 2

**DIMENSIONAL DRAWING**



**BOTTOM VIEW (PIN SIDE)**

DIMENSIONS IN MILLIMETERS, DRAWING NOT IN SCALE



**Magnetica**  
Electromagnetic components  
Switch mode power supply

Via Marcora, 20 60022 Castelfidardo (AN)  
Tel +39 071 7823855 www.magnetica.eu

STP03 MOR&D0014 REV01 10/01/12

Copyright Magnetica, cannot be reproduced even partially without written authorization