



Product Technical Specification

Code : **06341**

Product: Common Mode Inductor 2x20mH 0.25A

Class Code : **1770.0009**

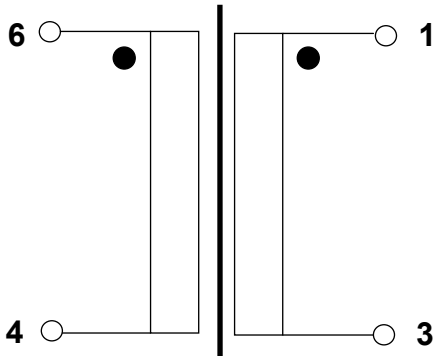
Date : 19.05.2011 Revision: 0

Page 1 of 2

TYPICAL APPLICATION

DISTURB SUPPRESSION ON AC/DC POWER LINE OF 400V MAX.

SCHEMATIC



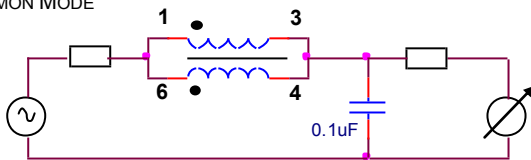
TECHNICAL DATA

INDUCTANCE (1-3=6-4) <i>(MEASURE 1KHZ, TA 20°C)</i>	20mH ±30%
RESISTANCE (1-3=6-4) <i>(MEASURE D.C, TA 20°C)</i>	4.8Ω MAX
LEAKAGE INDUCTANCE <i>(MEASURE 1-3 AND 6-4 IN S.C, F 10KHZ, TA 20°C)</i>	2.6% NOM
OPERATING VOLTAGE <i>(F 50-60HZ, IR 0.25A MAX, TA 20°C)</i>	400VAC MAX
OPERATING CURRENT <i>(MEASURE 1-3 E 6-4, TA 20°C)</i>	0.25A MAX
OPERATING FREQUENCY <i>(CURRENT 0.25A MAX, TA 20°C)</i>	50 – 60HZ
INSULATION (1-3 ↔ 6-4) <i>(F 50HZ, DURATION TEST 2", TA 20°C)</i>	1500V MAX
AMBIENT TEMPERATURE RANGE <i>(IR 0.25A MAX, WITH SELF TRISE 45°C)</i>	-20°C÷+85°C
THERMAL CLASS	B
STORAGE TEMPERATURE RANGE	-20°C÷+85°C
MAXIMUM DIMENSIONS	13.5X13.5 H12MM
WEIGHT	6g CIRCA

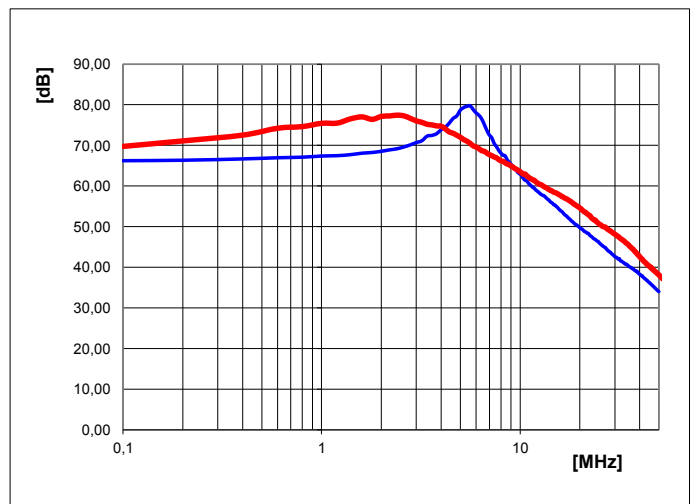
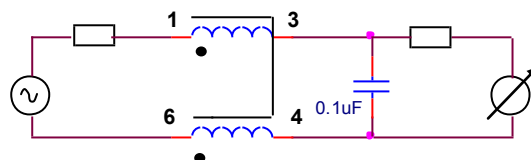
SETUP OF MEASURE

ATTENUATION — COMMON MODE — DIFFERENTIAL MODE

COMMON MODE



DIFFERENTIAL MODE





Product Technical Specification

Code : **06341**

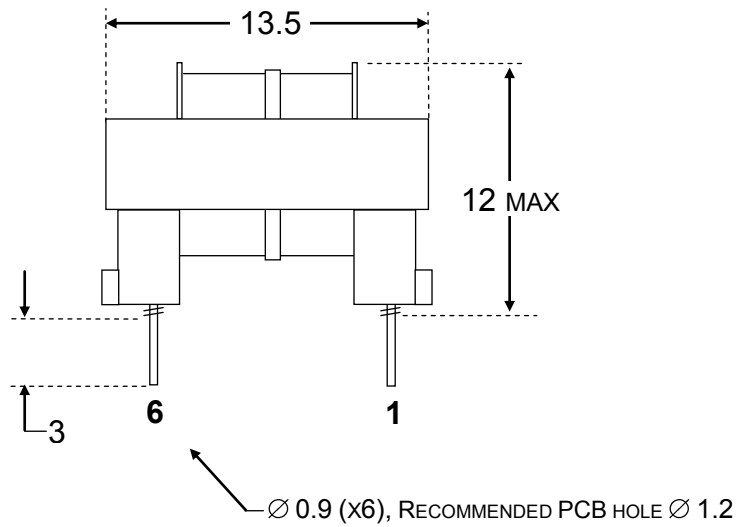
Product: Common Mode Inductor 2x20mH 0.25A

Class Code : **1770.0009**

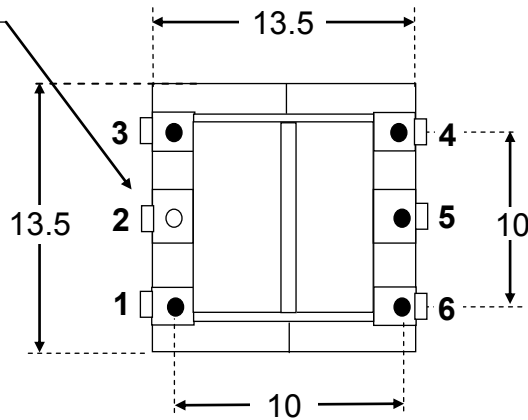
Date : 19.05.2011 | Revision: 0

Page 2 of 2

DIMENSIONAL DRAWING



MISSING PIN 2
REFERENCE AS PCB ASSEMBLING



BOTTOM VIEW (PIN SIDE)

DIMENSIONS IN MILLIMETERS, DRAWING NOT IN SCALE



Magnetica
Electromagnetic components
Switch mode power supply

Via Marcora, 20 60022 Castelfidardo (AN)
Tel +39 071 7823855 www.magnetica.eu

STP03 MOR&D0014 REV01 10/01/12

Copyright Magnetica, cannot be reproduced even partially without written authorization