



Product Technical Specification

Code : **04725**

Product: Differential Mode Inductor 3uH/5A

Class Code : **1071.0080**

Date : 25/07/2012

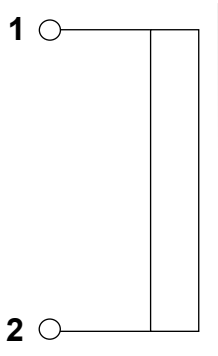
Revision: 01

Page 1 of 1

TYPICAL APPLICATION

NOISE SUPPRESSION ON AC/DC POWER LINE OF 270V MAX.

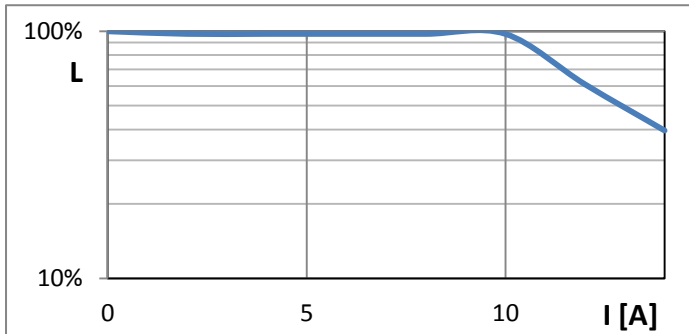
SCHEMATIC



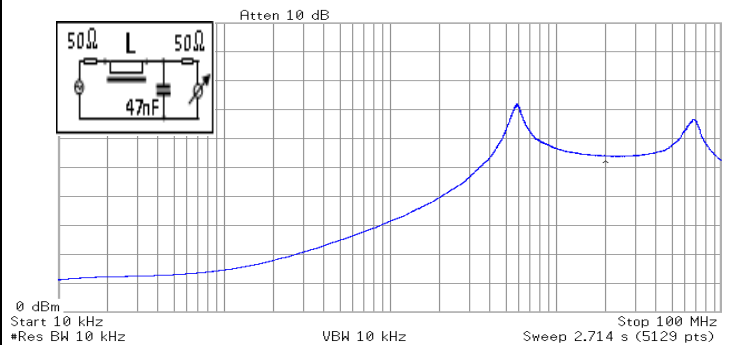
TECHNICAL DATA

INDUCTANCE (MEASURE 1KHz, TA 20°C)	3 uH ±15%
RESISTANCE (MEASURE DC, TA 20°C)	10 mΩ max
OPERATING CURRENT (MEASURE DC, TA 20°C)	5 A MAX
SATURATION CURRENT (MEASURE DC, L ≥ 50%NOM, TA 20°C)	12 A MAX
RESONANCE FREQUENCY (TA 20°C)	60 MHz NOM
OPERATING TEMPERATURE RANGE (IR 5 A MAX)	-10°C÷+45°C
MAXIMUM DIMENSIONS	∅9 H12 mm
WEIGHT	2 g CIRCA

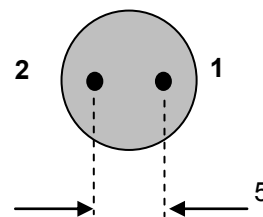
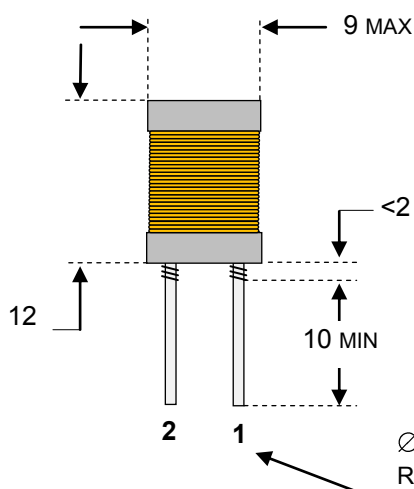
INDUCTANCE VS CURRENT



INSERTION ATTENUATION



DIMENSIONAL DRAWING



BOTTOM VIEW (PIN SIDE)

∅ 0.7 (X2)
RECOMMENDED PCB HOLE ∅ 1.1 (X2)



DIMENSIONS IN MILLIMETERS, DRAWING NOT IN SCALE