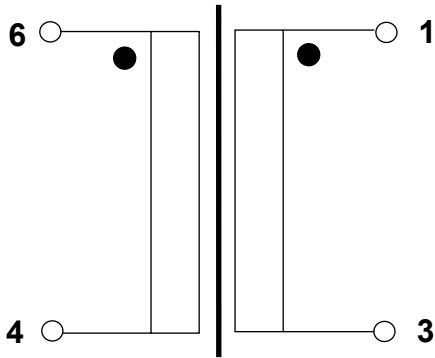




**TYPICAL APPLICATION**

NOISE SUPPRESSION ON AC/DC MAINS (270VRMS MAX).

**SCHEMATIC**



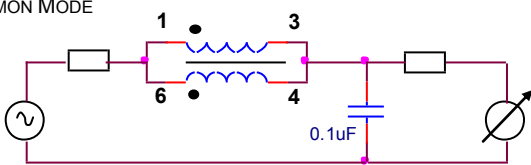
**TECHNICAL DATA**

|  |                 |
|--|-----------------|
| <b>INDUCTANCE (1-3=6-4)</b><br><i>(MEASURE 1KHZ, TA 20°C)</i>                      | 33mH MIN        |
| <b>RESISTANCE (1-3=6-4)</b><br><i>(MEASURE D.C, TA 20°C)</i>                       | 6.8Ω MAX        |
| <b>LEAKAGE INDUCTANCE</b><br><i>(MEASURE 1-3 AND 6-4 IN S.C, F 10kHz, TA 20°C)</i> | 2.3% NOM        |
| <b>OPERATING VOLTAGE</b><br><i>(F 50-60HZ, IR 0.25A MAX, TA 20°C)</i>              | 270VRMS MAX     |
| <b>OPERATING CURRENT</b><br><i>(MEASURE 1-3 E 6-4, TA 20°C)</i>                    | 0.25A MAX       |
| <b>OPERATING FREQUENCY</b><br><i>(CURRENT 0.25A MAX, TA 20°C)</i>                  | 50 – 60HZ       |
| <b>INSULATION (1-3 ↔ 6-4)</b><br><i>(F 50HZ, DURATION TEST 2", TA 20°C)</i>        | 1500V MAX       |
| <b>AMBIENT TEMPERATURE RANGE</b><br><i>(IR 0.25A MAX, WITH SELF TRISE 45°C)</i>    | -20°C÷+85°C     |
| <b>THERMAL CLASS</b>   | B               |
| <b>STORAGE TEMPERATURE RANGE</b>   | -20°C÷+85°C     |
| <b>MAXIMUM DIMENSIONS</b>  | 13.5x13.5 H12MM |
| <b>WEIGHT</b>  | 2g APPROX       |

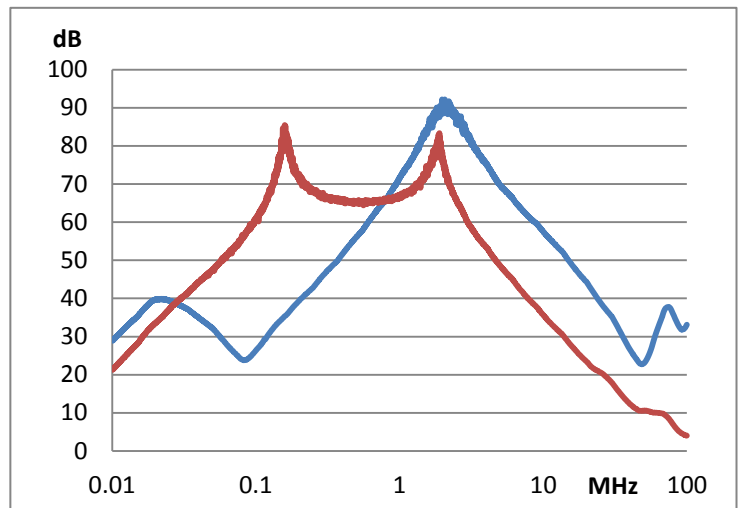
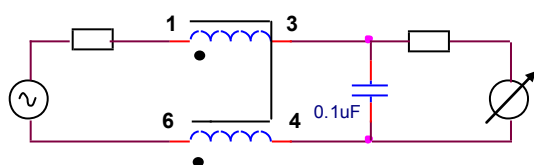
**SETUP OF MEASURE**

**ATTENUATION**    — COMMON MODE    — DIFFERENTIAL MODE

COMMON MODE

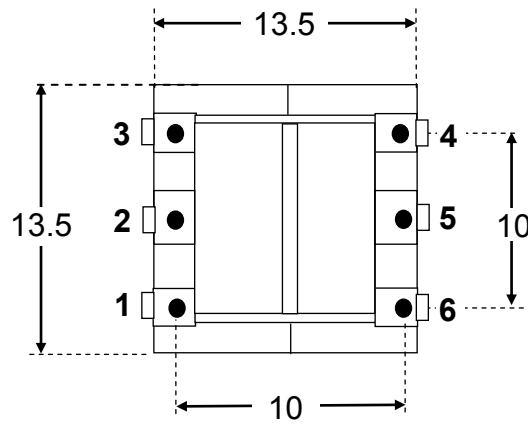
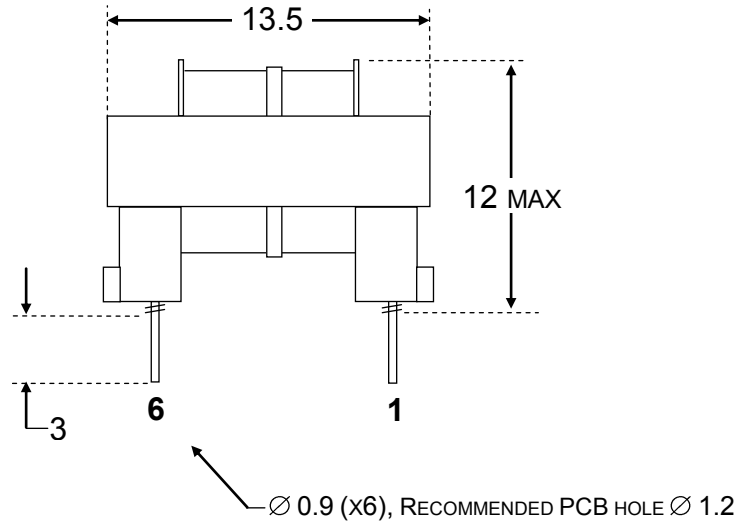


DIFFERENTIAL MODE





MECHANICAL DRAWING



BOTTOM VIEW (PIN SIDE)

DIMENSIONS IN MILLIMETERS, DRAWING NOT IN SCALE

