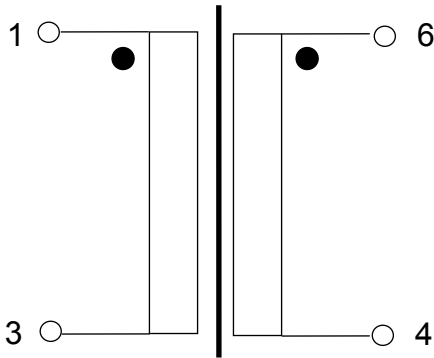


**TYPICAL APPLICATION**

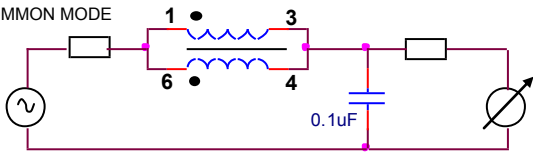
EMC SUPPRESSION ON AC/DC POWER LINE OF 270V MAX.

**SCHEMATIC**

**TECHNICAL DATA**

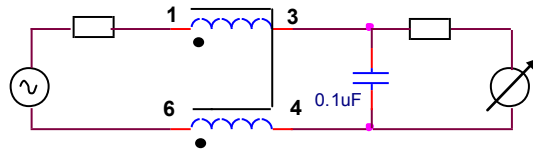
<b>INDUCTANCE (1-3=4-6)</b> (MEASURE 1KHZ, TA 20°C)	4.9mH MIN
<b>RESISTANCE (1-3=4-6)</b> (MEASURE DC, TA 20°C)	2.15Ω MAX
<b>OPERATING VOLTAGE</b> (F 50-60HZ, IR 0.25A MAX, TA 20°C)	270V MAX
<b>OPERATING CURRENT</b> (VR 270V, TA 20°C)	0.25A MAX
<b>OPERATING FREQUENCY</b> (IR 0.25A MAX, TA 20°C)	50 – 60HZ
<b>INSULATION (1-3↔4-6)</b> (F 50HZ, DURATA 2", TA 20°C)	1500V MAX
<b>AMBIENT TEMPERATURE RANGE</b> (IR 0.25A MAX)	-10°C÷+45°C
<b>MAXIMUM DIMENSIONS</b>	13.5x13.5x12
<b>WEIGHT</b>	3g CIRCA

**SETUP OF MEASURE**

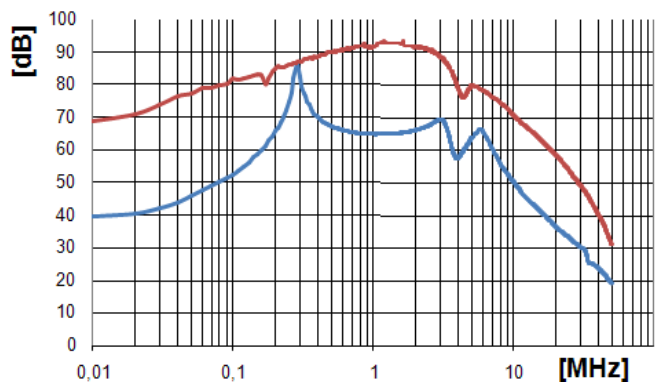
COMMON MODE



DIFFERENTIAL MODE

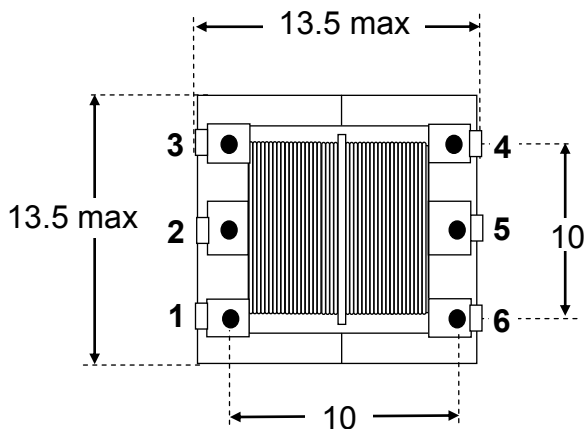
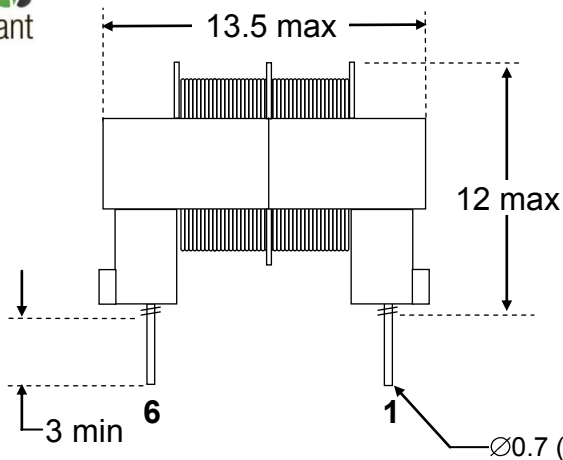

**ATTENUATION**

— COMMON MODE    — DIFFERENTIAL MODE


**DIMENSIONAL DRAWING**

DIMENSIONS IN MILLIMETERS, DRAWING NOT IN SCALE

RoHS Compliant



Ø0.7 (X6) RECOMMENDED PCB HOLE Ø1.1 (X6)