



# Product Technical Specification

Code : **04044**

Product: Common Mode Inductor 2x10.7mH 0.3A

Class Code : **1770.0003**

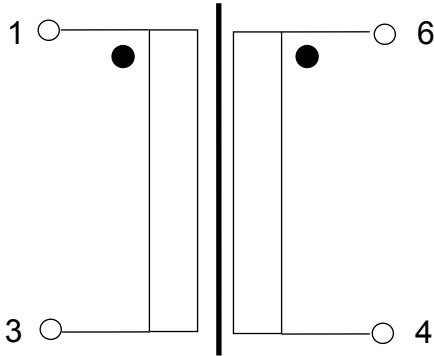
Date : 16.03.2010 | Revision: 0

Page 1 of 1

## TYPICAL APPLICATION

EMC SUPPRESSION ON AC/DC POWER LINE OF 270V MAX.

## SCHEMATIC

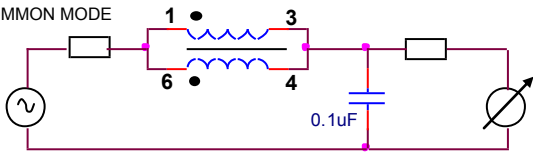


## TECHNICAL DATA

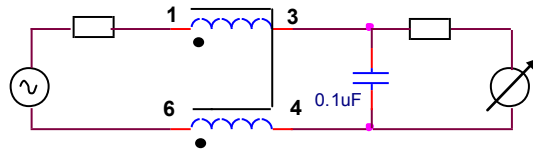
<b>INDUCTANCE (1-3=4-6)</b> (MEASURE 1KHZ, TA 20°C)	7mH MIN
<b>RESISTANCE (1-3=4-6)</b> (MEASURE DC, TA 20°C)	3Ω MAX
<b>OPERATING VOLTAGE</b> (F 50-60HZ, IR 0.3A MAX, TA 20°C)	270V MAX
<b>OPERATING CURRENT</b> (VR 270V, TA 20°C)	0.3A MAX
<b>OPERATING FREQUENCY</b> (IR 0.3A MAX, TA 20°C)	50 – 60HZ
<b>INSULATION (1-3↔4-6)</b> (F 50HZ, DURATA 2", TA 20°C)	1500V MAX
<b>AMBIENT TEMPERATURE RANGE</b> (IR 0.3A MAX)	-10°C÷+45°C
<b>MAXIMUM DIEMNSIONS</b>	13.5x13.5x12
<b>WEIGHT</b>	3g CIRCA

## SETUP OF MEASURE

COMMON MODE

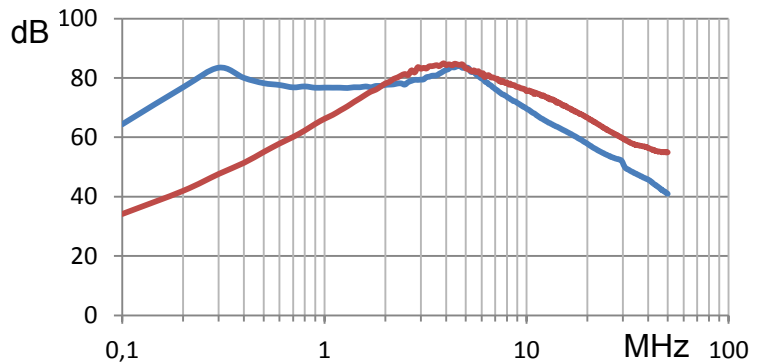


DIFFERENTIAL MODE



## ATTENUATION

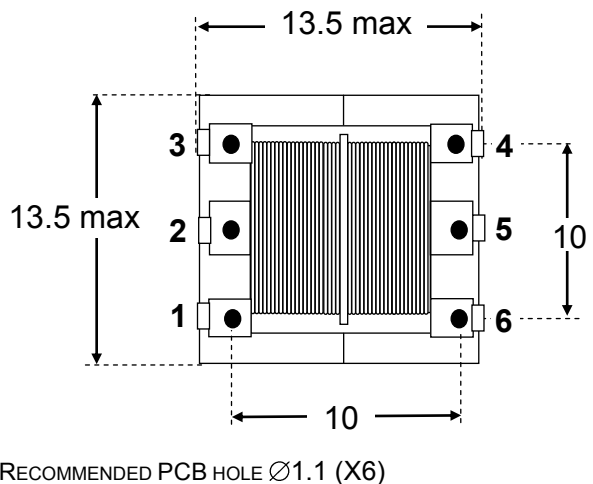
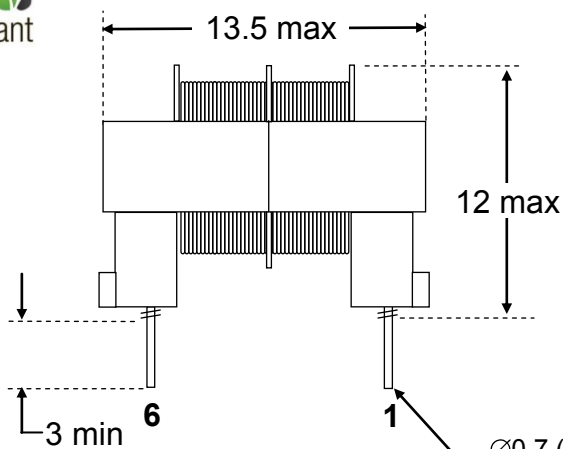
— COMMON MODE — DIFFERENTIAL MODE



## DIMENSIONAL DRAWING

DIMENSIONS IN MILLIMETERS, DRAWING NOT IN SCALE

RoHS Compliant



# Magnetica

Electromagnetic components  
Switch mode power supply

Via Marcora, 20 60022 Castelfidardo (AN)  
Tel +39 071 7823855 www.magnetica.eu

Copyright Magnetica, cannot be reproduced even partially without written authorization

STP03 MOR&D0014 REV01 10/01/12