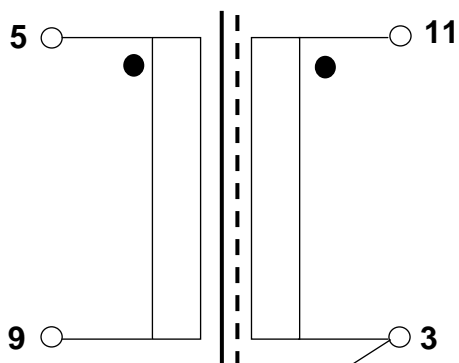


TYPICAL APPLICATION

INDUCTOR FOR BUCK, BOOST AND BUCK-BOOST DC/DC CONVERTER, AVAILABLE ALSO IN HALF-BRIDGE, PUSH-PULL AND FULL-BRIDGE APPLICATIONS

SCHEMATIC



TO BE MOUNTED WITH RIGHT INSULATION BETWEEN PCB WIRINGS AND FERRITE CORE

TECHNICAL DATA

INDUCTANCE

(MEASURE 1KHZ, TA 20°C)

PIN 5-9 1 mH ±15%
PIN 11-3 15 uH ±15%

RESISTANCE

(MEASURE D.C, TA 20°C)

PIN 5-9 351 mΩ MAX
PIN 11-3 310 mΩ MAX

OPERATING CURRENT

(MEASURE DC, TA 20°C)

850mA MAX

SATURATION CURRENT

(MEASURE DC, L ≥ 50%NOM, TA 20°C)

4.3A MAX

RESONANCE FREQUENCY

(TA 20°C)

700 KHZ NOM

AMBIENT TEMPERATURE RANGE

(IR 0.850A MAX, WITH SELF TRISE 50°C)

-20°C÷+80°C

THERMAL CLASS

B

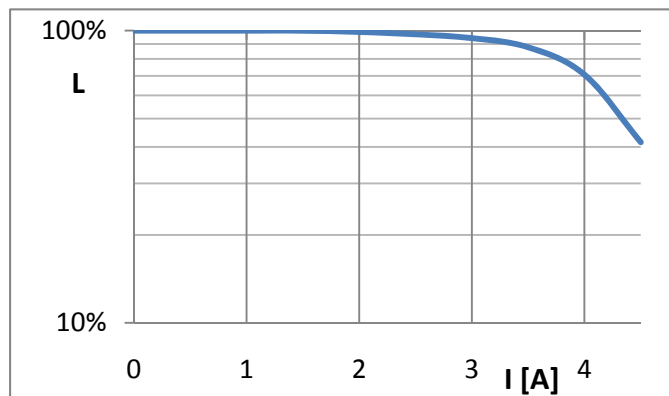
MAXIMUM DIMENSIONS

28x30 H22mm

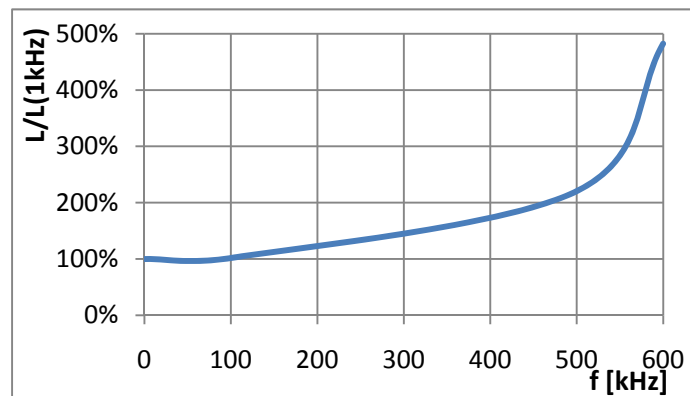
WEIGHT

42g CIRCA

INDUCTANCE VS CURRENT



INDUCTANCE VS FREQUENCY

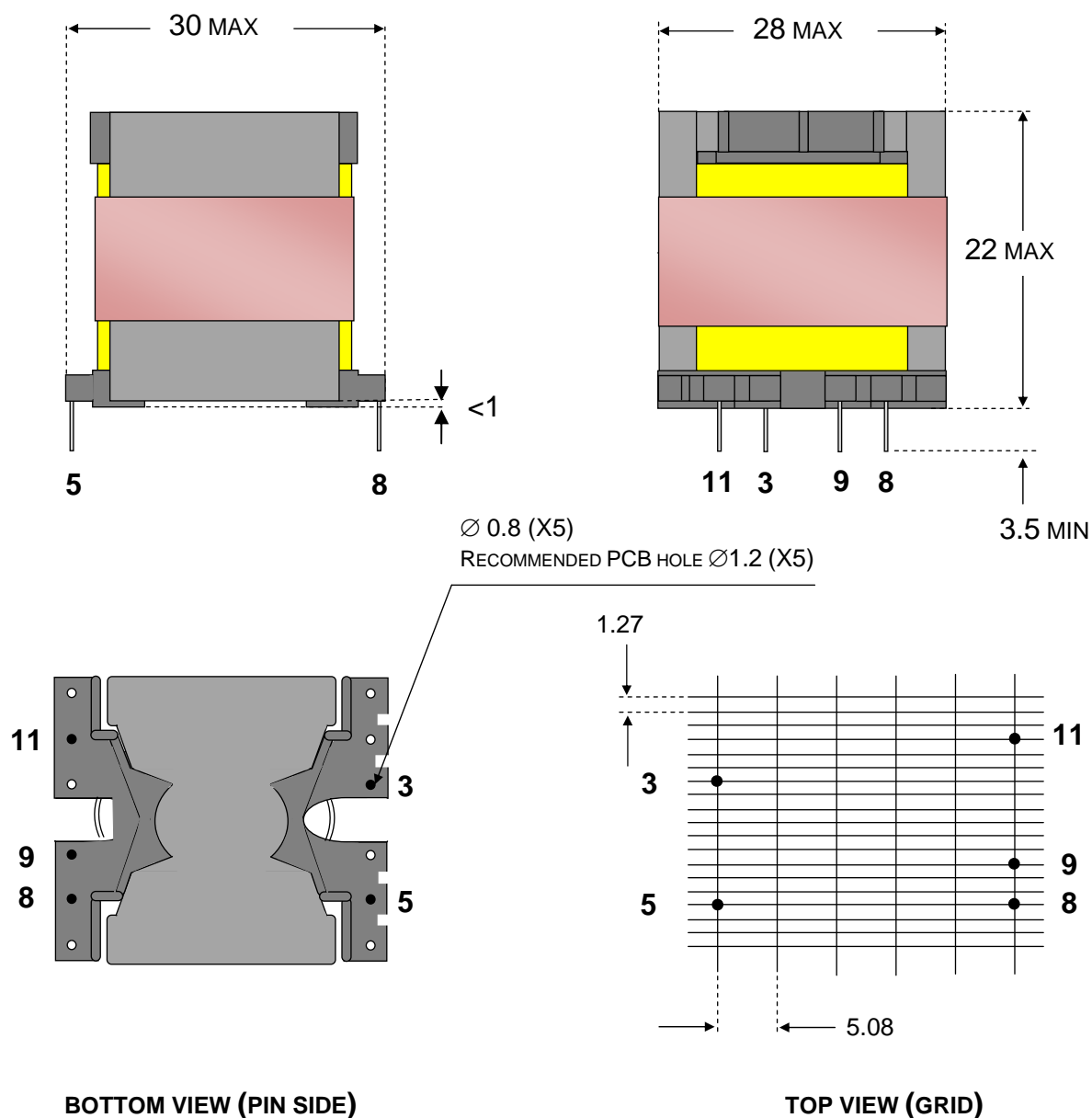


PIN DESCRIPTION

PIN(*)	FUNCTION	PIN(*)	FUNCTION
1	NOT PRESENT	7	NOT PRESENT
2	NOT PRESENT	8	NOT CONNECTED
3	AUXILIARY GROUND	9	PRIMARY +VB (250÷380VDC)
4	NOT PRESENT	10	NOT PRESENT
5	PRIMARY DRAIN/SOURCE	11	AUXILIARY WITH RATIO 10.14 (PRI/AUX)
6	NOT PRESENT	12	NOT PRESENT

(*)PIN WITH THE SAME SUBSCRIPT MUST BE CONNECTED TOGETHER ON PCB

DIMENSIONAL DRAWING



DIMENSIONS IN MILLIMETERS, DRAWING NOT IN SCALE